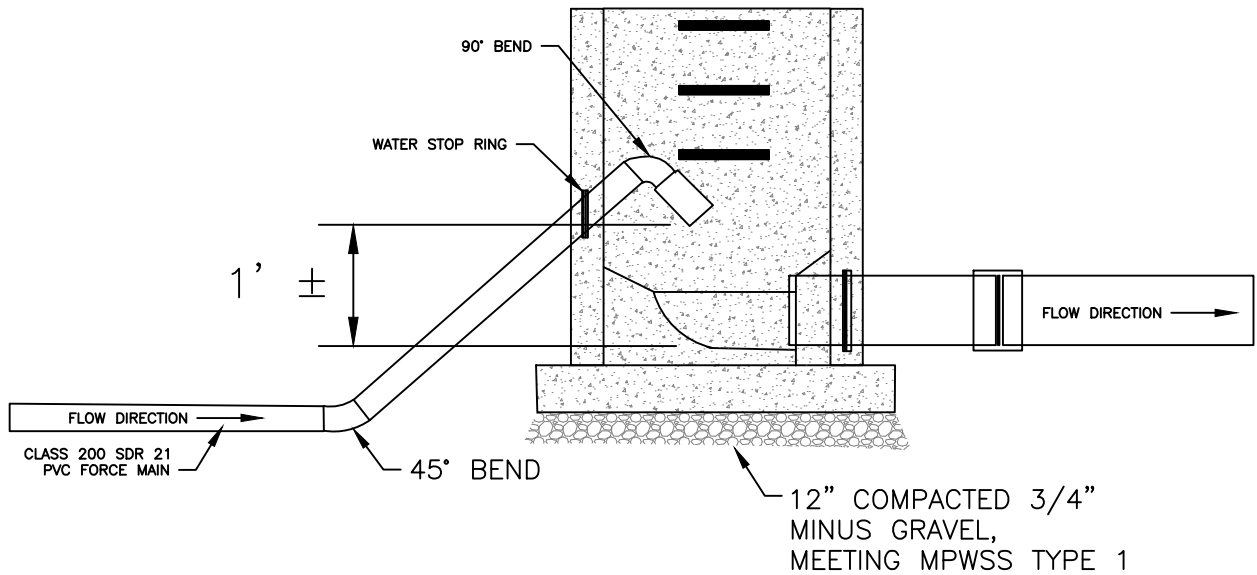


FORCE MAIN TO GRAVITY SEWER MANHOLE PIPING DETAIL



GENERAL NOTES

1. FORCE MAIN SHALL HAVE PIPE RESTRAINTS OR THRUST BLOCKS FOR 2" PIPE AND LARGER
2. NIPPLE FROM 90° BEND SHALL BE INCREASED ONE PIPE SIZE FOR PRESSURE REDUCER.
3. ALIGN THE DEFUSSER DISCHARGE WITH THE CENTER OF THE GRAVITY PIPE.



APPROVED	REVISIONS
PUBLIC WORKS DIRECTOR	
DATE	

CITY OF HAMILTON DEPARTMENT OF PUBLIC WORKS
FORCE MAIN TO GRAVITY SEWER MANHOLE PIPING DETAIL
HC. 20.02.009