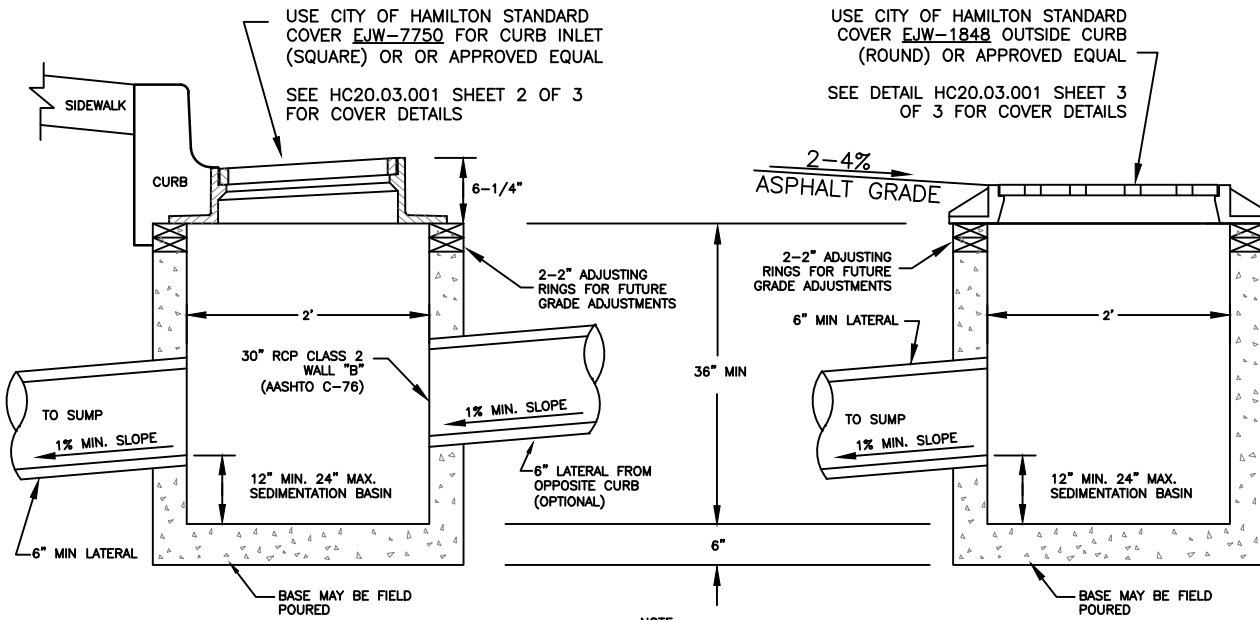


STANDARD SUMP



SQUARE INLET

ROUND INLET



APPROVED	REVISIONS

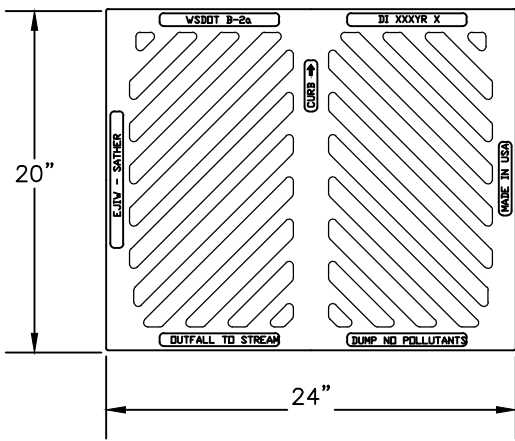
**CITY OF HAMILTON
DEPARTMENT OF PUBLIC WORKS**

STANDARD SUMP

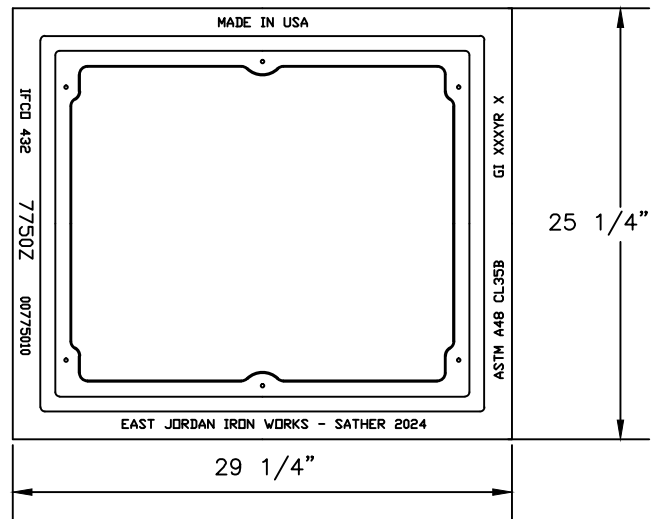
HC. 20.03.001-1

**PUBLIC WORKS
DIRECTOR**

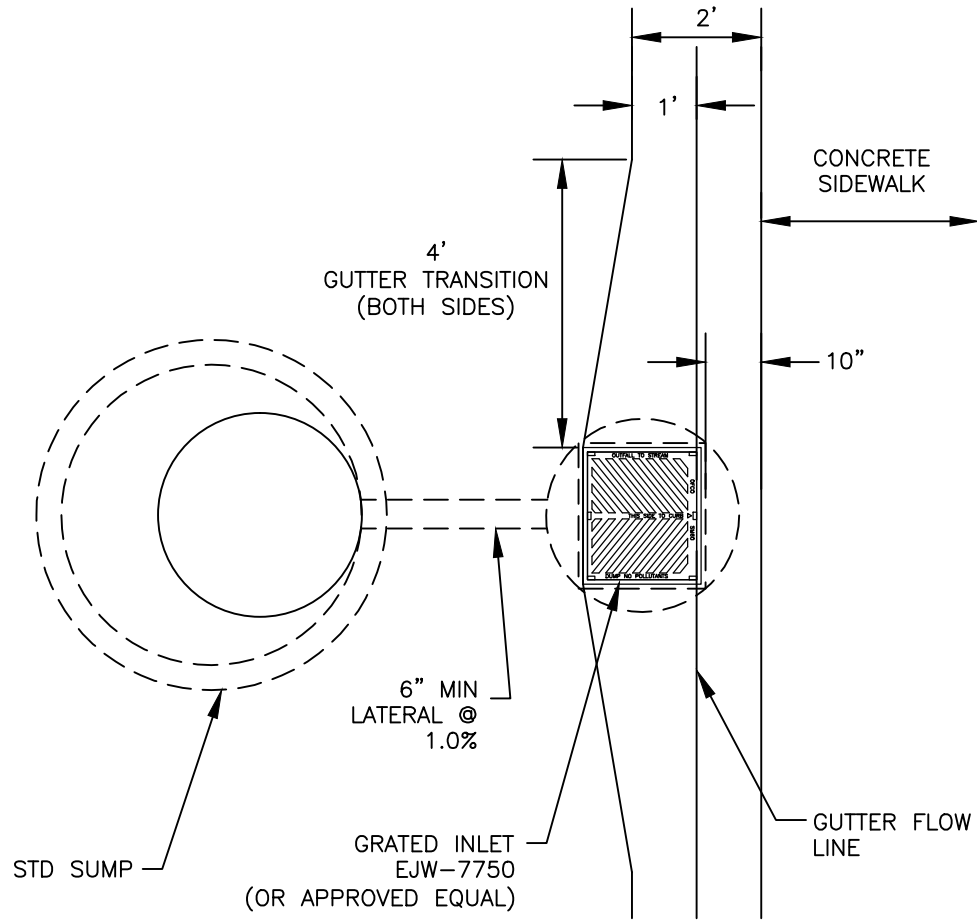
DATE



GRATE
EJW-7750M1D1



FRAME
EJW-7750Z

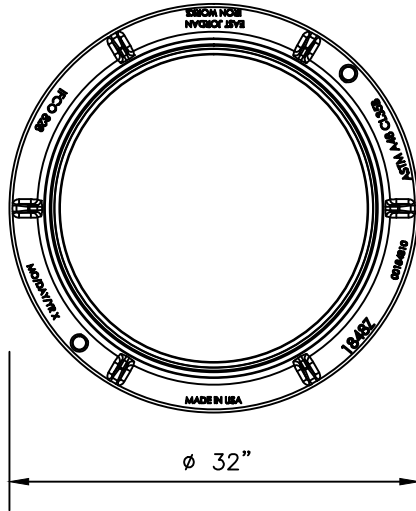


PLAN VIEW

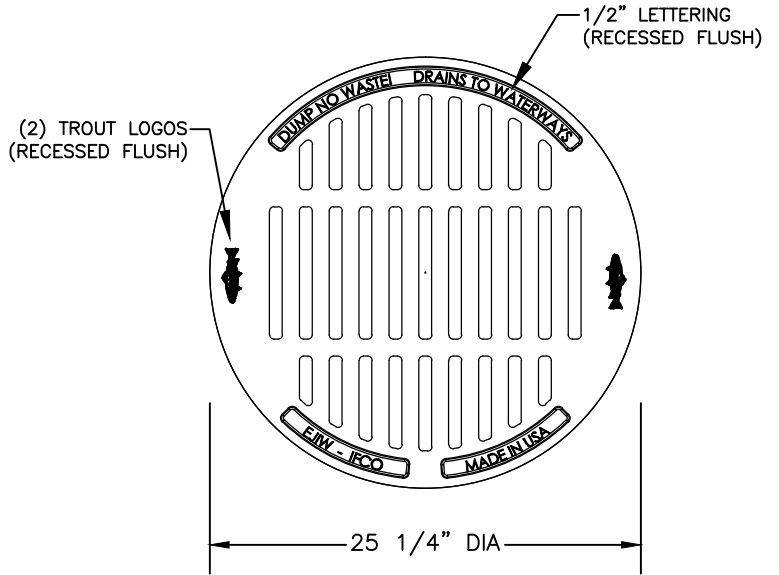


APPROVED	REVISIONS
	1/8/08
PUBLIC WORKS DIRECTOR	
DATE	

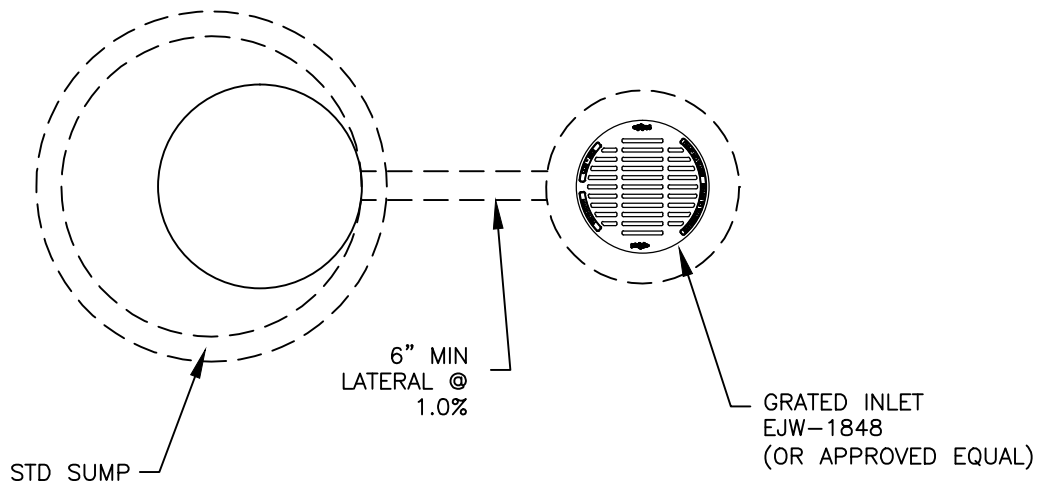
CITY OF HAMILTON DEPARTMENT OF PUBLIC WORKS
STANDARD SUMP, SQUARE INLET
HC. 20.03.001-2



FRAME
EJW-1848Z



GRATE
EJW-1848M



PLAN VIEW



APPROVED	REVISIONS
	1/8/08
PUBLIC WORKS DIRECTOR	
DATE	

CITY OF HAMILTON
DEPARTMENT OF PUBLIC WORKS

STANDARD SUMP,
ROUND INLET

HC. 20.03.001-3