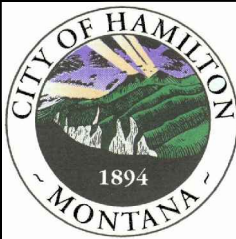


SEE STD DWG 20.04.002 & 20.04.003 FOR BEDDING AND JOINT DETAIL

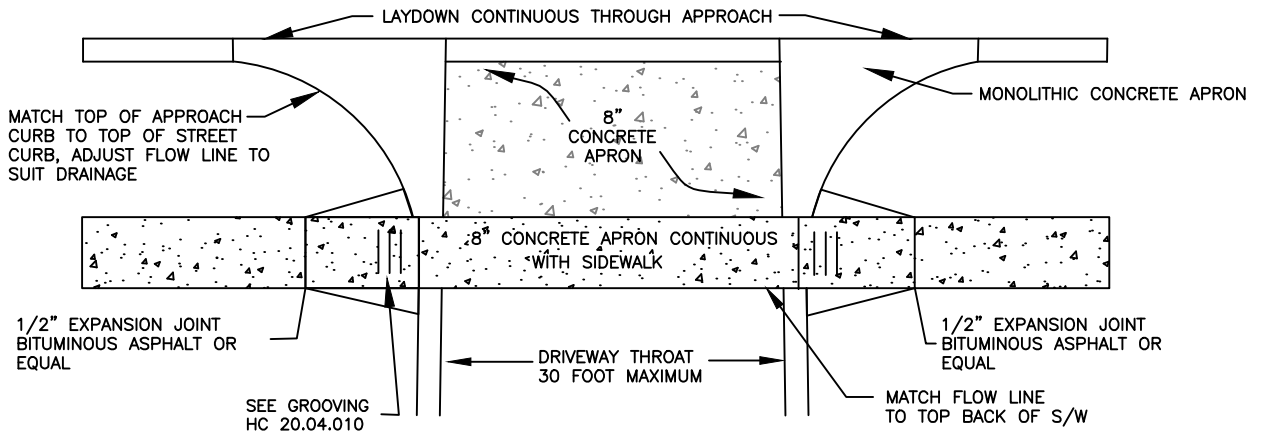
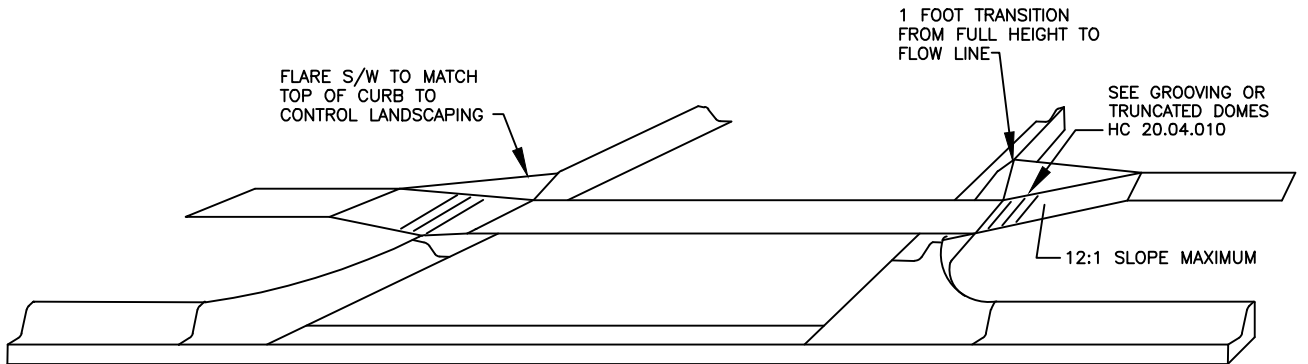


APPROVED	REVISIONS
	12/18/2014
PUBLIC WORKS DIRECTOR	
DATE	

CITY OF HAMILTON  
 DEPARTMENT OF PUBLIC WORKS  
 STANDARD COMMERCIAL OPENING  
 WITH ADJACENT SIDEWALK  
 (PAGE 1 OF 2)

---

HC 20.04.012-1



SEE STD DWG 20.04.002 & 20.04.003 FOR BEDDING AND JOINT DETAIL



APPROVED	REVISIONS
	12/18/2014
PUBLIC WORKS DIRECTOR	
DATE	

CITY OF HAMILTON  
 DEPARTMENT OF PUBLIC WORKS  
 STANDARD COMMERCIAL OPENING  
 WITH BOULEVARD SIDEWALK  
 (PAGE 2 OF 2)  
 HC 20.04.012-2