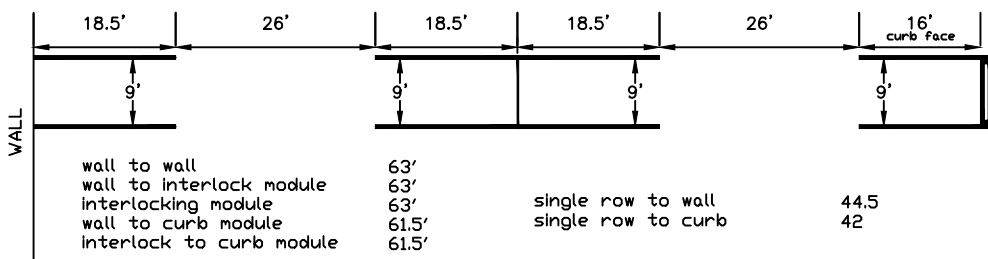
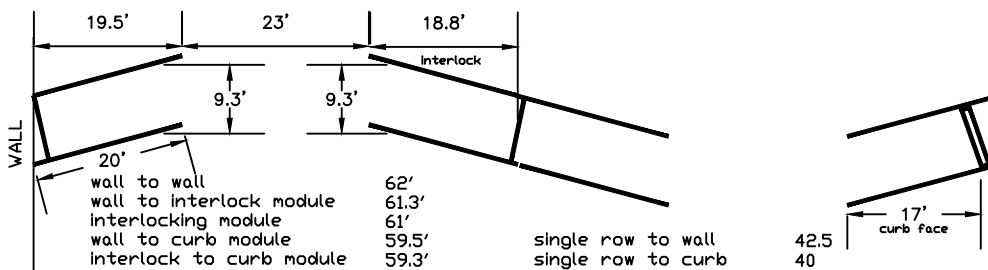


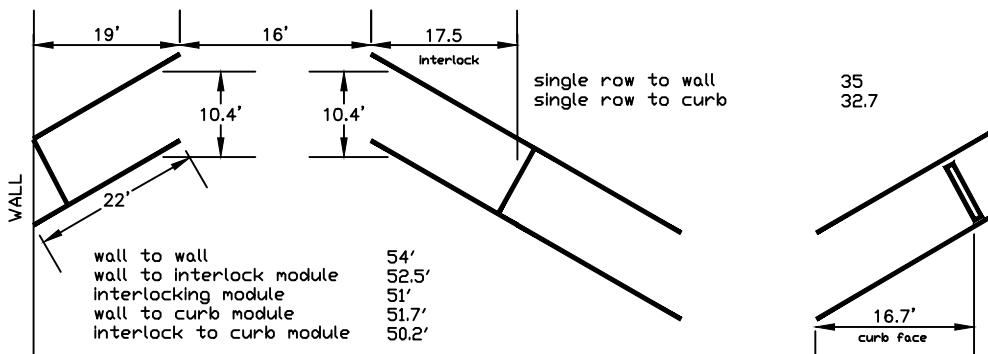
90 DEGREE



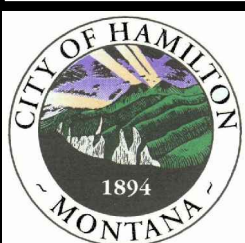
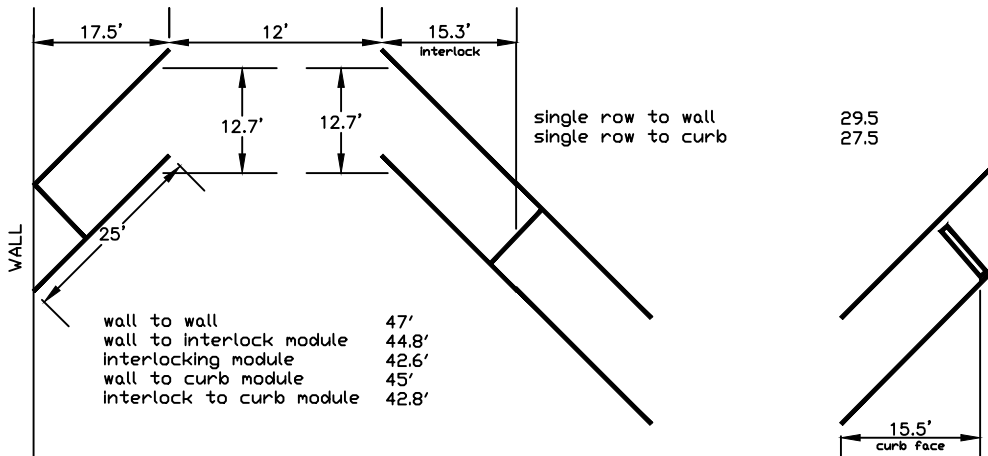
75 DEGREE



60 DEGREE



45 DEGREE



APPROVED	REVISIONS
PUBLIC WORKS DIRECTOR	
DATE	

CITY OF HAMILTON
DEPARTMENT OF PUBLIC WORKS

PARKING LOT
CONFIGURATIONS

HC. 20.06.001